



Hubble Word Jumble

AYRTSOMON A T M

YXAAGL G A

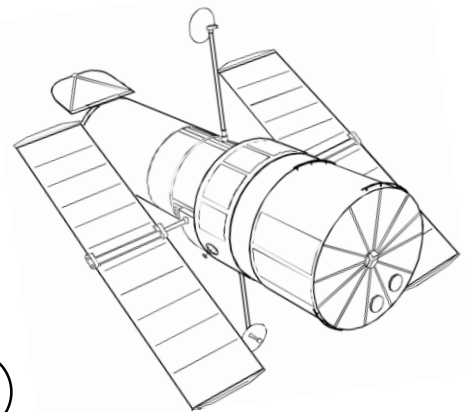
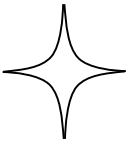
TREHA E T

VAWELGETHN W V G

SOPGEYCRO R S E

RISMRO I R S

LKBAC LEOH L K O



Arrange the circled letters to form the name of the galaxy Earth calls home.

○ ○ ○ ○ ○ ○ ○ ○

